



ALMAG

Electromagnetic Flowmeter

Model ALMAGSK Series

GENERAL

SMC ALMAGSK is an inline-type electromagnetic flowmeter with flange connections. This versatile flow sensor is available for nominal pipe sizes ranging from ¼" through 80" and flow rates ranging from less than 0.1 GPM to over 600,000 GPM. The AliaMGSK is available in a wide variety of configurations including AC or DC powered, local or remote display, and RS485, HART, Profibus or analog outputs. This broad array of options makes the AliaMGSK an excellent choice for measuring conductive fluid flow rates in food & beverage, pulp & paper and industrial applications.

FEATURES

- ❑ Various liner materials are available to satisfy nearly all industrial applications
- ❑ Wide fluid velocity range of 0-40 ft/sec with excellent low-flow accuracy
- ❑ Flange-type process connections available in ANSI, DIN, and JIS style
- ❑ Suitable for high-pressure service
- ❑ IP68 environmental protection class
- ❑ FEP liner - vacuum tube suitable
- ❑ Excellent accuracy; $\pm 0.5\%$ of reading or $\pm 0.2\%$ of reading @ low velocity
- ❑ Upright/reverse flowrate test function standard with every unit

SPECIFICATIONS

- | | | | |
|----------------------|---|-------------------------|---|
| ● Size | : ¼, ⅜, ½, ¾, 1, 1½, 1½, 2, 2½, 3, 3, 4, 5, 6, 8, 10, 12, 14, 16, 18, 20, 24, 28, 32, 36, 40, 48, 56, 64, 72, 80 in | ● Electrode & Grounding | : Stainless Steel 316L
Hastelloy B
Hastelloy C
Titanium
Tantalum
Tungsten Carbide |
| ● Measuring Range | : Velocity 0 - 0.82 feet/sec
0 - 40 feet/sec max. | ● Cable Entry | : 2 X PG11 |
| ● Material | | ● Ambient Temperature | : -10 to +140 °F |
| Measuring Tube | : Stainless Steel #304 | ● Process Connection | : Flange |
| Flange | : Carbon Steel(standard)
Stainless Steel #304(optional)
Stainless Steel #316(optional) | Flange types | : JIS 10K / JIS 20K / JIS 40K
ANSI 150# / ANSI 300# / ANSI 600#
DIN PN 10 / PN 16 / PN25 / PN 40 |
| Coil Housing | : Carbon Steel(standard)
Stainless Steel #304(optional)
Stainless Steel #316(optional) | ● Grounding Resistance | : Must be $\leq 10 \Omega$ |
| ● Liner | : Polyurethane(1-24")
Neoprene(2-60")
FEP(¼-12")
PTFE(1-32") | ● Accuracy | : $\pm 0.5\%$ of reading (Velocity ≥ 0.5 m/s)
± 0.0082 feet/sec (Velocity < 0.5 m/s)
$\pm 0.2\%$ of reading (Velocity < 0.5 m/s) |
| ● Protection | : IP 65 or IP 68
IP 68 (Submersible) | ● Temperature | : 14 ~ 140 °F (Polyurethane)
-5 ~ 160 °F (Neoprene)
-40 ~ 356 °F (FEP)
-40 ~ 356 °F (PTFE) |
| ● Conductivity | : Must be $\geq 5 \mu\text{S/cm}$ | | |
| ● Power requirements | : 110-240V _{AC} or 24 V _{DC} | | |
| ● Outputs | : Analog, HART, RS485, Profibus | | |



SmartMeasurement

10437 Innovation Drive, Suite 315, Milwaukee, WI 53226, USA
TEL: +1-866-404-5415 FAX: +1-414-433-1606

Page 1

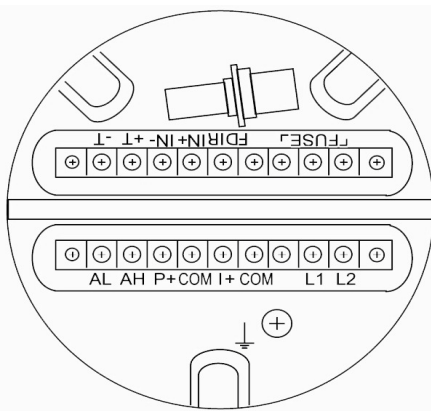
URL : <http://www.smartmeasurement.com>
E-mail: mag@smartmeasurement.com

FLOW RANGE

Nominal Size		Flow Range & Velocity Table						
mm	Inch	Min. (GPM)						Max. (GPM)
		0 - 0.25M/S	1.0 M/S	2.0 M/S	3.0 M/S	5.0 M/S	10.0 M/S	0 - 12 M/S
6	1/4"	0 to 0.112	0.45	0.90	1.34	2.24	4.48	0 to 5.38
10	3/8"	0 to 0.311	1.24	2.49	3.73	6.22	12.45	0 to 14.94
15	1/2"	0 to 0.700	2.80	5.60	8.40	14.00	28.01	0 to 33.61
20	3/4"	0 to 1.245	4.98	9.96	14.94	24.90	49.79	0 to 59.75
25	1"	0 to 1.945	7.78	15.56	23.34	38.90	77.80	0 to 93.36
32	1-1/4"	0 to 3.187	12.75	25.49	38.24	63.74	127.5	0 to 153.0
40	1-1/2"	0 to 4.979	19.92	39.84	59.75	99.59	199.2	0 to 239.0
50	2"	0 to 7.780	31.12	62.24	93.36	155.61	311.2	0 to 373.5
65	2-1/2"	0 to 13.15	52.60	105.2	157.8	262.98	526.0	0 to 631.1
80	3"	0 to 19.92	79.67	159.3	239.0	398.35	796.7	0 to 956.0
100	4"	0 to 31.12	124.5	249.0	373.5	622.43	1,245	0 to 1,494
125	5"	0 to 48.63	194.5	389.0	583.5	972.54	1,945	0 to 2,334
150	6"	0 to 70.02	280.1	560.2	840.3	1,400	2,801	0 to 3,361
200	8"	0 to 124.5	497.9	995.9	1,494	2,490	4,979	0 to 5,975
250	10"	0 to 194.5	778.0	1,556	2,334	3,890	7,780	0 to 9,336
300	12"	0 to 280.1	1,120	2,241	3,361	5,602	11,204	0 to 13,444
350	14"	0 to 381.2	1,525	3,050	4,575	7,625	15,249	0 to 18,299
400	16"	0 to 497.9	1,992	3,984	5,975	9,959	19,918	0 to 23,901
450	18"	0 to 630.2	2,521	5,042	7,562	12,604	25,208	0 to 30,250
500	20"	0 to 778.0	3,112	6,224	9,336	15,561	31,121	0 to 37,346
600	24"	0 to 1,120	4,481	8,963	13,444	22,407	44,815	0 to 53,778
700	28"	0 to 1,525	6,100	12,200	18,299	30,499	60,998	0 to 73,198
800	32"	0 to 1,992	7,967	15,934	23,901	39,835	79,671	0 to 95,605
900	36"	0 to 2,521	10,083	20,167	30,250	50,417	100,833	0 to 121,000
1000	40"	0 to 3,112	12,449	24,897	37,346	62,243	124,486	0 to 149,383
1200	48"	0 to 4,481	17,926	35,852	53,778	89,630	179,259	0 to 215,111
1400	56"	0 to 6,100	24,399	48,798	73,198	121,996	243,992	0 to 292,790
1600	64"	0 to 7,967	31,868	63,737	95,605	159,341	318,683	0 to 382,420
1800	72"	0 to 10,083	40,333	80,667	121,000	201,667	403,333	0 to 484,000
2000	80"	0 to 12,449	49,794	99,588	149,383	248,971	497,942	0 to 597,531

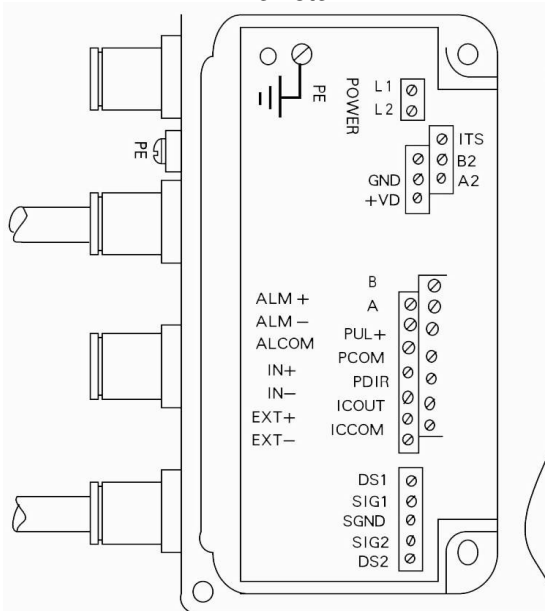
ELECTRICAL CONNECTION

Integral



Up line: T-, T+; RS485 Communication
 FUSE: Power Fuse
 Low line: AL, AH; L, H alarm
 P+, COM : Pulse Frequency,
 COM : be commonly used with AL.AH
 I+, COM : 4-20mA
 L1, L2 : 220V_{AC} (24V_{DC} optional)

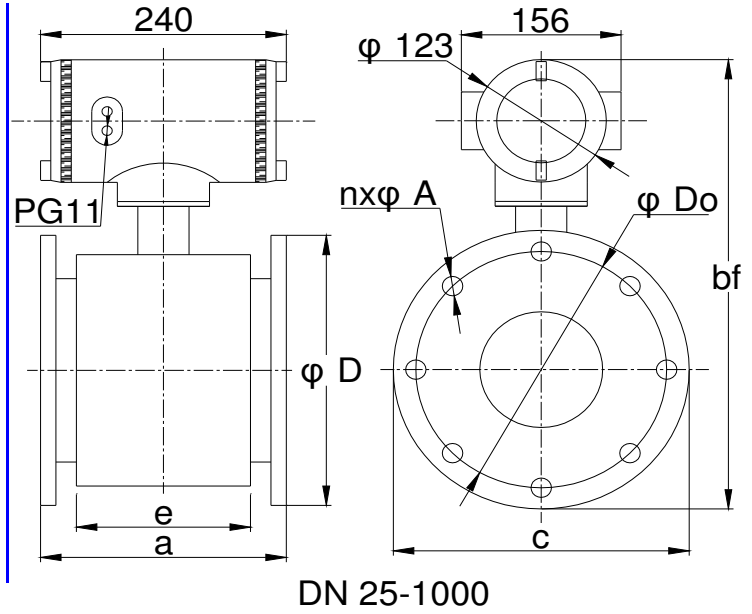
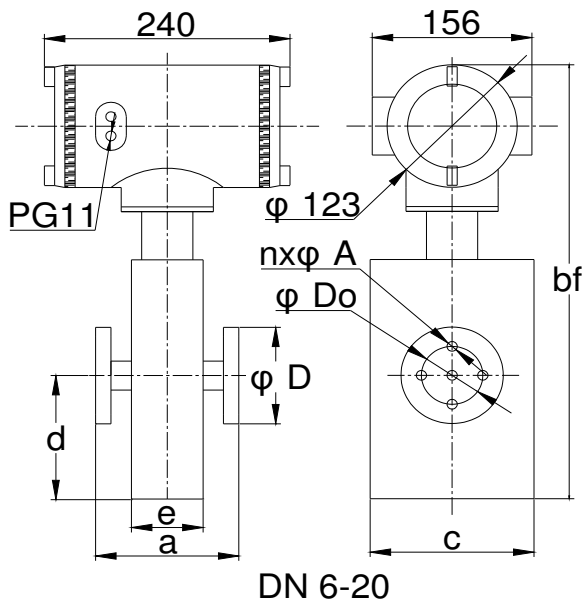
Remote



EXT+ : Excitation output+
 EXT- : Excitation output-

DS1 : Signal shield 1
 SIG1 : Signal 1
 SIG 2 : Signal 2
 DS 2 : Signal shield 2
 PDIR : Flow direction
 ALM+ : H alarm
 ALM- : L alarm
 A : RS485+
 B : RS485-
 IN+ : Contact input +
 IN- : Contact input-
 L1 : AC/DC power +
 L2 : AC/DC power -
 A2 : PROFIBUS data line DP – A
 B2 : PROFIBUS data line DP – B
 ALCOM: State output terminal
 RTS : Relay control (direction)
 +VD : Isolated power source 5V
 GND : Isolated power grounding
 IOUT+ : Currency output+
 SIG GND: Signal grounding

➤ DIMENSIONS



Nominal Pipe Size	Nomal pressure (psig)	Dimension (inches)					Dimension of flange (inches)			Weight Kg
		a	bf	c	d	e	D	Do	nxA	
3/8"	580	5 29/32	16 1/16	6 1/8	4 7/32	2 13/16	3 9/16	2 6/16	5/32 x 9/16	15
1/2"		5 29/32	16 1/16	6 1/8	4 7/32	2 13/16	3 3/4	2 9/16	5/32 x 9/16	17
3/4"		5 29/32	16 1/16	6 1/8	4 7/32	2 13/16	4 1/8	2 15/16	5/32 x 9/16	18
1"		5 29/32	11 15/16	4 4/8		3 1/16	4 17/32	3 3/8	5/32 x 9/16	20
1-1/4"		5 29/32	12 9/16	5 1/2		3 1/16	5 1/2	3 15/16	5/32 x 23/32	21
1-1/2"		5 29/32	13 1/14	5 7/8		2 1/2	5 7/8	4 5/16	5/32 x 23/32	26
2"		7 7/8	13 5/8	6 1/2		4 5/16	6 1/2	4 15/16	5/32 x 23/32	30
2-1/2"	7 7/8	14 7/16	7 5/16		4 1/8	7 5/16	5 11/16	5/16 x 23/32	34	
3"	7 7/8	15 1/16	7 7/8		4	7 7/8	6 5/16	5/16 x 23/32	38	
4"	232	9 13/16	15 10/16	8 11/16		5 7/8	8 11/16	7 1/16	5/16 x 23/32	48
5"		9 13/16	16 14/16	9 13/16		5 7/8	9 13/16	8 1/4	5/16 x 23/32	64
6"		11 13/16	18 1/14	11 1/4		7 1/16	11 1/4	9 7/16	5/16 x 27/32	77
8"	145	13 3/4	20 3/8	13 3/8		8 3/4	13 3/8	11 5/8	5/16 x 27/32	105
10"		15 3/4	22 7/16	15 9/16		10	15 9/16	13 3/4	15/32 x 27/32	149
12"		19 11/16	24 5/16	17 8/16		12 7/16	17 1/2	15 3/4	15/32 x 27/32	187
14"		19 11/16	26 5/16	19 7/8		12	19 7/8	18 1/8	5/8 x 27/32	280
16"		23 5/8	28 7/16	22 1/4		14 15/16	22 2/8	20 1/4	5/8 x 27/32	280
18"		23 5/8	30 7/16	24 3/16		14 15/16	24 3/16	22 1/4	25/32 x 29/32	429
20"		23 5/8	32 1/2	26 3/8		15 3/4	26 3/8	24 7/16	25/32 x 29/32	463
24"		23 5/8	36 5/8	30 11/16		17 15/16	30 11/16	28 9/16	25/32 x 1-3/16	668
28"		27 9/16	40 7/8	35 1/4		21 7/16	35 2/8	33 1/14	15/16 x 1-3/16	1,036
32"		31 1/2	45 3/16	39 15/16		22 13/16	39 15/16	37 6/16	15/16 x 1-9/32	1,102
36"	35 7/16	49 1/8	43 7/8		27 3/16	43 7/8	41 5/16	1-5/32 x 1-9/32	1,543	
40"	39 3/8	53 3/8	48 7/16		29 1/2	48 7/16	45 11/16	1 1/8 x 1-13/32	2,030	
48"	87	47 1/4	65 7/8	55 5/16		34 1/4	55 5/16	52 3/4	1-1/4 x 1-9/32	
56"		55 1/8	73 6/8	64 3/16		41 1/2	64 3/16	61 7/16	1-13/32 x 1-13/32	
64"		63	82 1/16	72 1/16		47 3/16	72 1/16	69 5/16	1-9/16 x 1-13/32	
72"		70 7/8	90 11/16	80 1/2		52 13/16	80 1/2	77 9/16	1-3/4 x 1-17/32	
80"	37	78 3/4	98 9/16	89 3/16		60 1/16	89 3/16	85 13/16	1-7/8 x 1-21/32	
88"		86 5/8	106 7/16	94 11/16		67 1/2	94 11/16	91 1/8	2-1/32 x 1-25/32	

**** Please contact your local SMC application engineer**

You also need to provide the following information:

Type of Fluid	Please specify the name of your fluid media, the operating PH, and conductivity.
Full Scale Flow	Maximum and minimum flow rates should be specified in units of Lb/hr, GPM or LPM, etc..
Line Size	Please state nominal pipe size as well process connection type (flange, threaded, etc..)
Pressure & Temperature	We will calibrate your flowmeter as close to your operating conditions as possible
Type of Electronics	Please indicate integral or remote electronics as well level of environmental protection required
Power Requirements	Specify your power requirements as either 24 V _{DC} or 230 V _{AC}

➤ Model Selection Guide

ALMAGSK Series																
Example: ALMAGSK-100-33-PN1.6-E00-100-001-0																
ALMAGSK-	**_	*	*_	**	**_	*	*	*_	*	*	*_	*	*	*_	*	Description
1/4 ~ 80"	6 ~ 2000															Size
Stainless Steel 316L	0															Electrode
Pt	1															
HB	2															
Ta	3															
Ti	4															
HC	5															
TuC	6															
Chloroprene Rubber(Neoprene)	3															Liner Material
Polyurethane	4															
PTFE	5															
FEP	6															
ETFE	7															
PO	8															
PPS	9															
DN, ANSI or JIS flanges				**												Flange style
580 psig max pressure with flanges (1/2~3")				4.0												Nominal Pressure (psig)
232 psig max pressure with flanges (4~6")				1.6												
145 psig max pressure with flanges (8~40")				1.0												
87 psig max pressure with flanges (42~79")				0.6												
37 psig max pressure with flanges (79~134")				0.25												
176 °F or less							E									Working Temperature
300 °F or less							H									
Not Needed								0								Grounding Rings
Needed								1								
IP65									0							Protection
IP68									1							
Integral										0						Transmitter
Remote										1						
None											0					Communication
RS-485												1				
HART													2			
PB														3		
Carbon Steel												0				Housing Material
Stainless Steel 304 SS													1			
Carbon Steel														0		Flange Material
Stainless Steel 304 SS														1		
Needed														0		Mating Flange
Not Needed														1		
85-240 V _{AC}															0	Power Supply
24 V _{DC}															1	
Not Needed															0	Explosion proof
Explosion Proof															Ex	



ALMAG

Electromagnetic Flowmeter

Model ALMAGWP Series

7 GENERAL

The ALMAGWP is a flange type electromagnetic flowmeter ideal for conductive liquids. A wide variety of sizes are available accommodate nominal pipe diameters ranging from ½" through 80". The AMFWP may be used in many applications including tap-water, waste water, food & beverage, and pulp & paper. The ALMAGWP magmeter is available in a stand-alone configuration and may also be used with various SMC transmitter and display packages.



7 FEATURES

- Various liner materials are available to accommodate most industrial applications
- Fluid Velocity range of 0-32 feet/sec, with good results for low flow applications
- Flange-type process connections are standard; ANSI, DIN, JIS style available
- Ideal for high pressure applications
- IP68 protection class available; the sensor may be immersed in water.
- FEP liner suitable in vacuum tube applications
- High accuracy - $\pm 0.5\%$ of reading standard or $\pm 0.2\%$ of range
- Feature for upright/opposite flowrate test function.

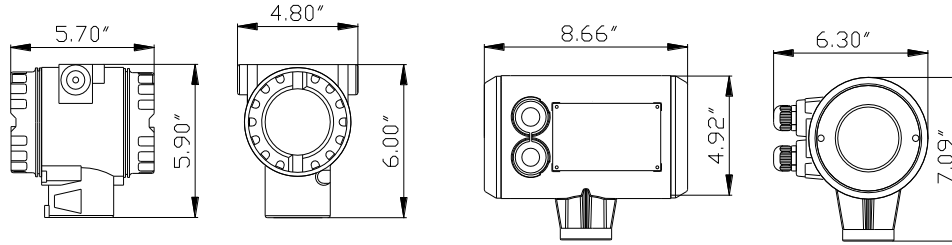


7 SPECIFICATION

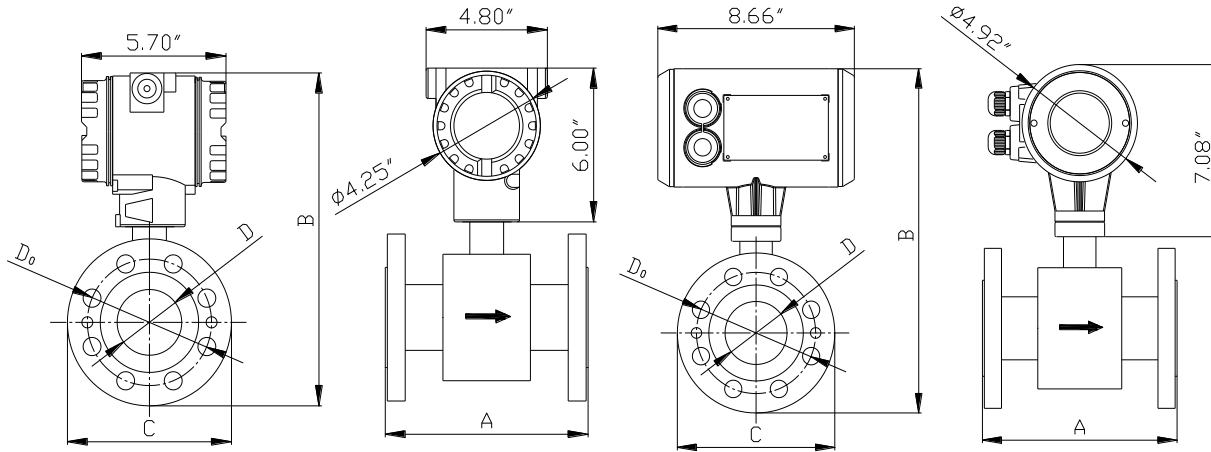
- Size : ½" ~ 80" (10 ~ 2000mm)
- Temperature: w/ integral electronics: 15~140 °F (-10~60 °C)
w/ remote electronics: 15~300 °F (-10~150 °C)
- Measuring Range : 0.3 - 32 feet/sec (0.1 - 10 m/s)
- Material
 - Measuring Tube : Carbon Steel (standard)
Stainless Steel 304 (optional)
Stainless steel 316 (optional)
 - Housing : Aluminium (standard)
Carbon Steel (optional)
Stainless Steel #304 (optional)
Stainless Steel #316 (optional)
- Liner : Polyurethane
Neoprene
FEP (½"-12" only)
PTFE
- Electrode & Grounding : Stainless Steel 316L
Hastelloy B
Hastelloy C
Titanium
Tantalum
Tungsten Carbide
- Cable Entry : 2 X PG11
- Ambient Temperature : -15~140 °F (-25~60 °C)
- Process Connection : Flange, wafer
Flanges type : JIS , ANSI , PN
- Grounding Resistance : Must be less than 10 Ω
- Accuracy : $\pm 0.5\%$ of reading
 $\pm 0.2\%$ of FS
- Protection : IP 65, IP 67
IP 68 (Submersible)
- Conductivity : must be $\geq 5 \mu\text{S/cm}$

➤ INTEGRAL TYPE DIMENSIONS

● TRANSMITTER



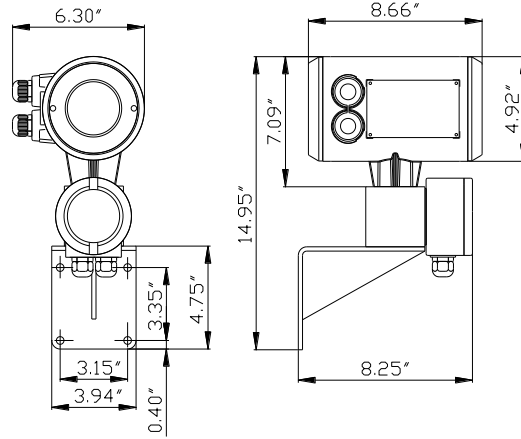
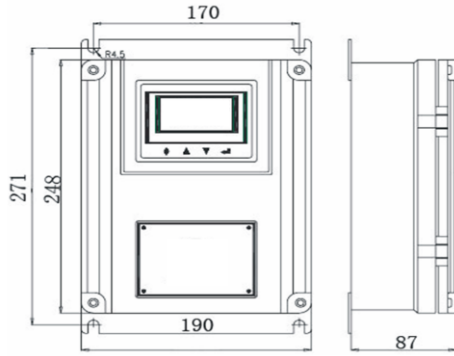
● FLOWMETER



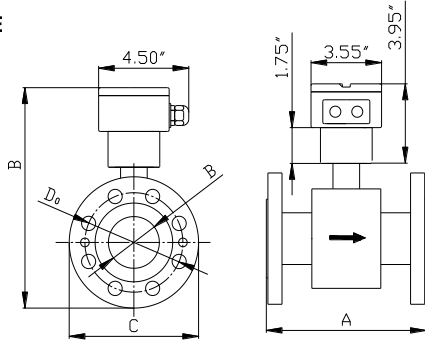
Nom. Pipe Diameter - in. (mm)	Rated pressure psig (bar)	Instrument outline dimension inches (mm)			Flange connection dimension inches (mm)			Weight lbs. (kg)
		a	b	c	D	D0	nxA	
3/8" (10)	580 (40)	7.87 (200)	12.60 (320)	3.54 (90)	3/8" (10)	2.36 (60)	4 x 0.55 (14)	13.25 (6)
1/2" (15)	580 (40)	7.87 (200)	12.67 (322)	3.74 (95)	1/2" (15)	2.56 (65)	4 x 0.55 (14)	13.25 (6)
3/4" (20)	580 (40)	7.87 (200)	12.87 (327)	4.13 (105)	3/4" (20)	2.95 (75)	4 x 0.55 (14)	13.25 (6)
1" (25)	580 (40)	7.87 (200)	13.26 (337)	4.52 (115)	1" (25)	3.35 (85)	4 x 0.55 (14)	15.5 (7)
1 1/4" (32)	580 (40)	7.87 (200)	13.78 (350)	5.51 (140)	1 1/4" (32)	3.94 (100)	4 x 0.71 (18)	20 (9)
1 1/2" (40)	580 (40)	7.87 (200)	13.94 (354)	5.90 (150)	1 1/2" (40)	4.33 (110)	4 x 0.71 (18)	22 (10)
2" (50)	580 (40)	7.87 (200)	14.80 (376)	6.50 (165)	2" (50)	4.92 (125)	4 x 0.71 (18)	26.5 (12)
2 1/2" (65)	580 (40)	7.87 (200)	15.20 (386)	7.28 (185)	2 1/2" (65)	5.71 (145)	4 x 0.71 (18)	37.5 (17)
3" (80)	580 (40)	7.87 (200)	16.18 (411)	7.87 (200)	3" (80)	6.30 (160)	8 x 0.71 (18)	37.5 (17)
4" (100)	230 (16)	9.85 (250)	16.97 (431)	8.67 (220)	4" (100)	7.09 (180)	8 x 0.71 (18)	48.5 (22)
5" (125)	230 (16)	9.85 (250)	17.51 (445)	9.84 (250)	5" (125)	8.27 (210)	8 x 0.71 (18)	53 (24)
6" (150)	230 (16)	11.81 (300)	19.33 (491)	11.22 (285)	6" (150)	9.45 (240)	8 x 0.87 (22)	77.25 (35)
8" (200)	145 (10)	13.78 (350)	21.65 (550)	13.38 (340)	8" (200)	11.61 (295)	8 x 0.87 (22)	99.25 (45)
10" (250)	145 (10)	15.75 (400)	22.83 (580)	15.55 (395)	10" (250)	13.78 (350)	12 x 0.87 (22)	185 (84)
12" (300)	145 (10)	19.68 (500)	25.31 (643)	17.52 (445)	12" (300)	15.75 (400)	12 x 0.87 (22)	225 (102)
14" (350)	145 (10)	19.68 (500)	27.72 (704)	19.88 (505)	14" (350)	18.11 (460)	16 x 0.87 (22)	271 (123)
16" (400)	145 (10)	23.62 (600)	30.08 (764)	22.25 (565)	16" (400)	20.28 (515)	16 x 1.02 (26)	324 (147)
18" (450)	145 (10)	23.62 (600)	32.05 (814)	24.21 (615)	18" (450)	22.25 (565)	20 x 1.02 (26)	467 (212)
20" (500)	145 (10)	23.62 (600)	33.86 (860)	26.37 (670)	20" (500)	22.40 (620)	20 x 1.02 (26)	461 (209)
24" (600)	145 (10)	23.62 (600)	38.11 (968)	30.71 (780)	24" (600)	28.54 (725)	20 x 1.18 (30)	556 (252)
28" (700)	145 (10)	27.56 (700)	(1077)	35.25 (895)	28" (700)	33.07 (840)	24 x 1.18 (30)	776 (352)
32" (800)	145 (10)	31.50 (800)	(1188)	39.96 (1015)	32" (800)	37.40 (950)	24 x 1.37 (35)	1018 (462)

➤ REMOTE TYPE DIMENSIONS

● TRANSMITTER



● FLOWMETER



Nom. Pipe Diameter - in. (mm)	Rated pressure psig (bar)	Instrument outline dimension inches (mm)			Flange connection dimension inches (mm)			Weight (kg)
		a	b	c	D	D0	nxA	
3/8" (10)	580 (40)	7.87 (200)	7.36 (187)	3.54 (90)	3/8" (10)	2.36 (60)	4 x 0.55 (14)	8.75 (4)
1/2" (15)	580 (40)	7.87 (200)	7.44 (189)	3.74 (95)	1/2" (15)	2.56 (65)	4 x 0.55 (14)	8.75 (4)
3/4" (20)	580 (40)	7.87 (200)	7.64 (194)	4.13 (105)	3/4" (20)	2.95 (75)	4 x 0.55 (14)	8.75 (4)
1" (25)	580 (40)	7.87 (200)	8.03 (204)	4.52 (115)	1" (25)	3.35 (85)	4 x 0.55 (14)	11 (5)
1 1/4" (32)	580 (40)	7.87 (200)	8.50 (216)	5.51 (140)	1 1/4" (32)	3.94 (100)	4 x 0.71 (18)	15.5 (7)
1 1/2" (40)	580 (40)	7.87 (200)	8.70 (221)	5.90 (150)	1 1/2" (40)	4.33 (110)	4 x 0.71 (18)	17.75 (8)
2" (50)	580 (40)	7.87 (200)	9.57 (243)	6.50 (165)	2" (50)	4.92 (125)	4 x 0.71 (18)	22 (10)
2 1/2" (65)	580 (40)	7.87 (200)	9.96 (253)	7.28 (185)	2 1/2" (65)	5.71 (145)	4 x 0.71 (18)	33 (15)
3" (80)	580 (40)	7.87 (200)	10.94 (278)	7.87 (200)	3" (80)	6.30 (160)	8 x 0.71 (18)	33 (15)
4" (100)	230 (16)	9.85 (250)	11.73 (298)	8.67 (220)	4" (100)	7.09 (180)	8 x 0.71 (18)	44 (20)
5" (125)	230 (16)	9.85 (250)	12.50 (318)	9.84 (250)	5" (125)	8.27 (210)	8 x 0.71 (18)	48.50 (22)
6" (150)	230 (16)	11.81 (300)	14.09 (358)	11.22 (285)	6" (150)	9.45 (240)	8 x 0.87 (22)	72.75 (33)
8" (200)	145 (10)	13.78 (350)	16.37 (416)	13.38 (340)	8" (200)	11.61 (295)	8 x 0.87 (22)	95 (43)
10" (250)	145 (10)	15.75 (400)	19.29 (490)	15.55 (395)	10" (250)	13.78 (350)	12 x 0.87 (22)	181 (82)
12" (300)	145 (10)	19.68 (500)	20.08 (510)	17.52 (445)	12" (300)	15.75 (400)	12 x 0.87 (22)	220.5 (100)
14" (350)	145 (10)	19.68 (500)	22.48 (571)	19.88 (505)	14" (350)	18.11 (460)	16 x 0.87 (22)	226.75 (121)
16" (400)	145 (10)	23.62 (600)	24.84 (631)	22.25 (565)	16" (400)	20.28 (515)	16 x 1.02 (26)	320 (145)
18" (450)	145 (10)	23.62 (600)	26.81 (681)	24.21 (615)	18" (450)	22.25 (565)	20 x 1.02 (26)	463 (210)
20" (500)	145 (10)	23.62 (600)	28.75 (730)	26.37 (670)	20" (500)	22.40 (620)	20 x 1.02 (26)	456 (207)
24" (600)	145 (10)	23.62 (600)	32.91 (836)	30.71 (780)	24" (600)	28.54 (725)	20 x 1.18 (30)	551 (250)
28" (700)	145 (10)	27.56 (700)	37.16 (944)	35.25 (895)	28" (700)	33.07 (840)	24 x 1.18 (30)	772 (350)
32" (800)	145 (10)	31.50 (800)	41.54 (1055)	39.96 (1015)	32" (800)	37.40 (950)	24 x 1.37 (35)	1014 (460)
36" (900)	145 (10)	35.43 (900)	46.06 (1170)	43.90 (1115)	36" (900)	41.33 (1050)	28 x 1.37 (35)	1213 (550)
40" (1000)	145 (10)	39.37 (1000)	50.39 (1280)	48.43 (1230)	40" (1000)	45.67 (1160)	28 x 1.37 (35)	1500 (680)
48" (1200)	87 (6)	47.25 (1200)	57.48 (1460)	55.31 (1405)	48" (1200)	52.75 (1340)	32 x 1.37 (35)	1698 (770)
56" (1400)	87 (6)	55.12 (1400)	71.77 (1823)	60.00 (1524)	56" (1400)	61.41 (1560)	36 x 1.42 (36)	2712 (1230)
64" (1600)	87 (6)	63.00 (1600)	80.04 (2033)	67.95 (1726)	64" (1600)	69.30 (1760)	40 x 1.42 (36)	3417 (1550)
72" (1800)	87 (6)	70.87 (1800)	87.67 (2227)	75.83 (1926)	72" (1800)	77.65 (1970)	44 x 1.54 (39)	4586 (2080)
80" (2000)	87 (6)	78.75 (2000)	95.59 (2428)	85.43 (2170)	80" (2000)	85.83 (2180)	48 x 1.65 (42)	5732 (2600)

**** Please contact your local SMC application engineer**

You also need to provide the following information:

Type of Fluid	Please provide the name of your fluid, including operating PH, corrosiveness & conductivity.
Full Scale Flow	Please provide maximum and minimum flow rates in units must of Lb/hr, LPM, or GPM
Line Size	Specify pipe size as well connection type (flanged, threaded, etc..)
Pressure & Temperature	We will calibrate your flowmeter as close to your operating conditions as possible
Type of Electronics	Indicate if you want integral or remote electronics as well protection class
Power Requirements	Specify your power requirements (24 V _{DC} or 230 V _{AC})

Model Selection Guide

ALMAGWP Series															
Example:															
ALMAGWP-	*_	**_	*	*_	*	*_	*	*_	*	*_	*	*_	**_	**	Description
Flanged	F														Type
Clamped	C														
3/8"-80" (DN10~DN2000)		**													Size
316 stainless steel			1												Electrode
Hastalloy B			2												
Hastalloy C			3												
Pt			4												
Ti			5												
Other			9												
Chloroprene rubber (CR)				A											Linner material
Polyurethane rubber (PU)				B											
Polytetrafluoroethylene (PTEE, F4)				C											
Solubility Polytetrafluoroethylene(PFA)				D											
FEP (F46)				E											
PTFE-withstand negative pressure				F											
PFA-withstand negative pressure				G											
FEP (F46) withstand negative pressure				H											
580 psig (40 bar) - 3/8"-3" line sizes			1												Working pressure
230 psig (16 bar) - 4"-6" line sizes			2												
145 psig (10 bar) - 8"-40" line sizes			3												
87 psig (6 bar) - 48"-80" line sizes			4												
None				A											Earthing ring
General earth ring, material 1Gr18Ni9Ti				B											
Earth ring with neck, material 1Gr18Ni9Ti				C											
General earth ring, material 316L stainless steel				D											
Earth ring with neck, material 316L stainless steel				E											
Other				Y											
IP65				A											Protection
IP67				B											
IP68 (Submersible, separate with converter only)				C											
4~20mA			1												Output
0~3KHz			2												
Pulse X..XXX m ³ /cp			3												
None			0												Communication
RS485			1												
RS232C			2												
220V _{AC}								T							Power supply
24V _{DC}								W							
±0.5%									5						Accuracy
Integral type										1					Converter
Remote type										4					
Explosion Proof											EX				Approval
Non- Hazardous											NX				
Options												**			Option