

### FEATURES

- Accurate at low flows
- Simple and durable
- Rugged body
- High tolerance for problem fluids

### APPLICATIONS

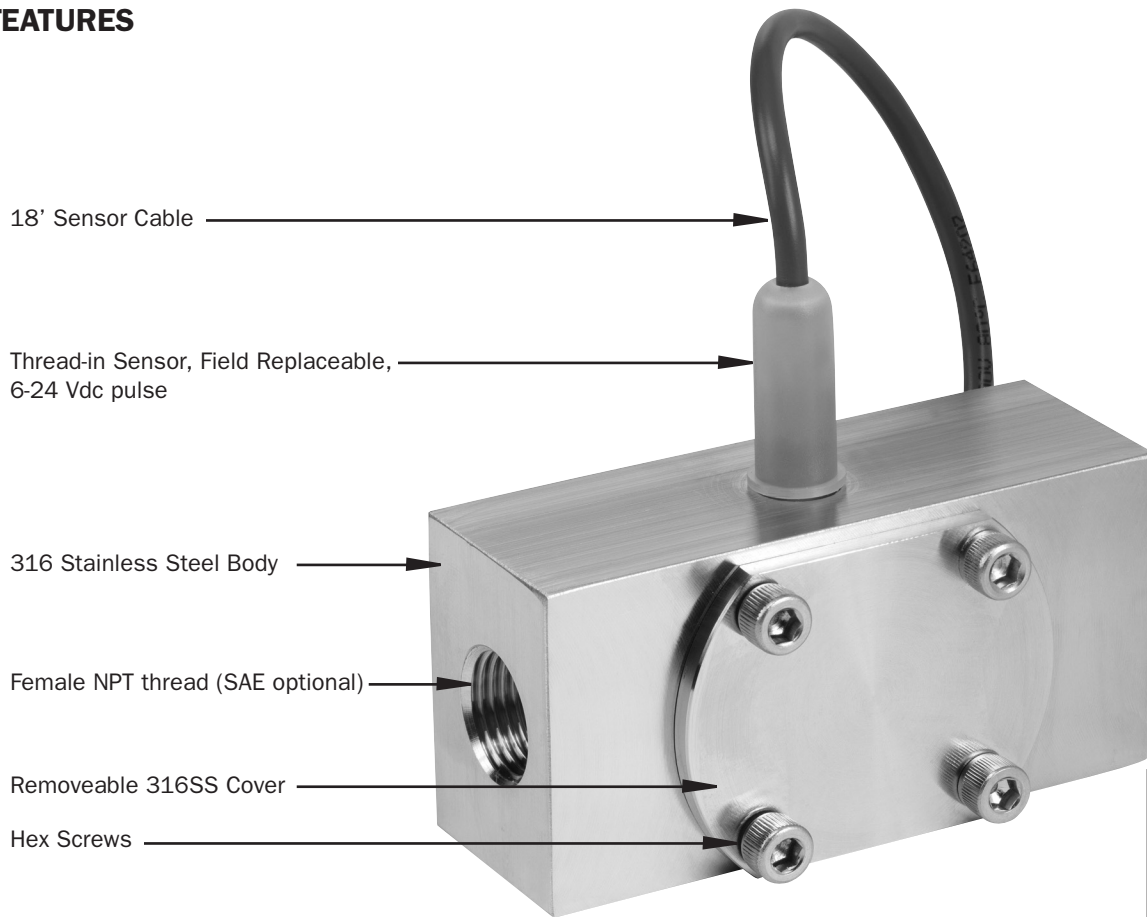
- Low flow monitoring
- Chemical batching
- Proportional chemical injection
- Fertilizer injection

### GENERAL INFORMATION

The SES single-jet meter provides accurate, wide range flow metering in an extremely rugged stainless steel package. Single-jet simplicity combined with high quality jewel bearings results in long life and relatively high tolerance for problem fluids. Typical applications are chemical batching, proportional chemical injection, fertilizer injection, proportioning of spray chemicals, and general flow rate monitoring.

The sensor is easily replaced from outside the meter, and is compatible with most of the Seametrics indicators and transmitters, as well as most controls and PLC's that accept DC inputs. The standard rotor is PVDF (Kynar) and the shaft is a special nickel-bonded tungsten carbide. The optional ceramic shaft increases resistance to some concentrated chemicals. The standard O-ring is Teflon-coated Viton, with EPDM and Kalrez optional for compatibility with a variety of chemicals.

## FEATURES




(Internal)  
 Jewel Bearings  
 Kynar/Carbide Rotor Assembly (Kynar/Ceramic optional)  
 Teflon-coated Viton O-Ring (EPDM or Kalrez optional)



FIELD REPLACEMENT  
OF SENSOR

## SPECIFICATIONS\*

<b>Connection Ports</b>	1/2", 3/4", and 1" female NPT thread (SAE optional)
<b>Sensor Cable</b>	18 feet standard (Maximum cable run 2000 ft.)
<b>Materials</b>	
<b>Body</b>	316 stainless steel
<b>Rotor</b>	PVDF (Kynar)
<b>Shaft</b>	Nickel-bonded tungsten carbide (ceramic optional)
<b>Bearings</b>	Ruby ring and ball
<b>O-Ring</b>	Teflon-coated Viton (EPDM or Kalrez optional)
<b>Cover</b>	316 stainless steel
<b>Maximum Temperature</b>	200° F (93° C)
<b>Maximum Pressure</b>	500 psi (35 bar)
<b>Accuracy</b>	+/- 1% of full scale
<b>Power</b>	5-24 Vdc, 2 mA min
<b>Outputs</b>	Current sinking pulse, 6 - 24 Vdc
<b>Regulatory</b>	 Mark (Standard Power Only)

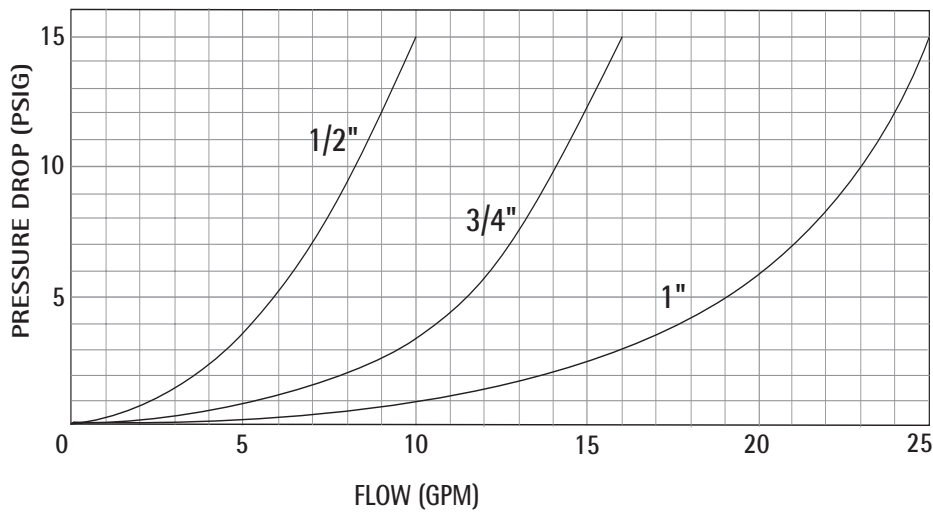
\*Specifications subject to change • Please consult our website for current data ([www.seametrics.com](http://www.seametrics.com)).

## FLOW RANGE

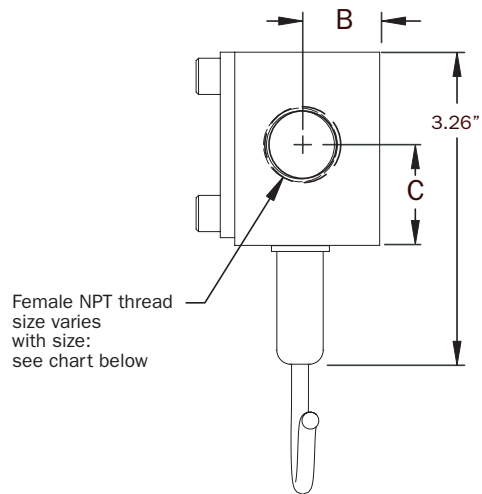
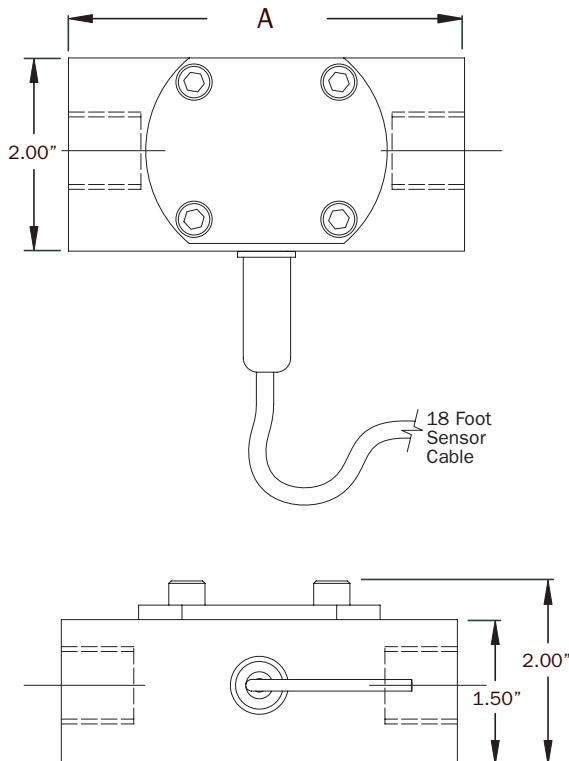
Model #	*K-Factor (pulses/Gal)	Gal/Min	Liter/Min
-050	535	0.1 - 10	0.38 - 38
-075	390	0.2 - 15	0.75 - 57
-100	220	0.5 - 25	1.9 - 95

\*Nominal K-factors (based on averages) for standard 2-magnet model.  
High resolution (6-magnet) K-factors are approximately tripled.

## PRESSURE DROP CURVES



## DIMENSIONS



Size	NPT Thread Size	A	B	C
<b>1/2 inch</b>	1/2 inch	4.10	.82	1.04
<b>3/4 inch</b>	3/4 inch	4.10	.82	1.04
<b>1 inch</b>	1 inch	5.00	.75	1.00

## HOW TO ORDER

MODEL	SIZE	OPTIONS
SES	1/2" (0.1-10 GPM) = <b>-050</b> 3/4" (0.2-15 GPM) = <b>-075</b> 1" (0.5-25 GPM) = <b>-100</b>	Ceramic shaft = <b>-01</b> Micropower pickup (Use w/FT415 or DL76 only) = <b>-04</b> High resolution rotor = <b>-13</b> Kalrez O-ring = <b>-59</b> Silicon carbide shaft = <b>-68</b> EPDM O-ring = <b>-69</b>
SES		

---

### ACCESSORIES

Rate and Total Indicator, DC powered = <b>FT420</b>	Batch Flow Processor = <b>FT520</b>
Rate and Total Indicator, Battery powered = <b>FT415</b>	Data Logger = <b>DL76</b>
Blind Analog Transmitter (4 to 20 mA) = <b>AO55</b>	Plug-in Power Converter, 100-115 Vac, 24 Vdc = <b>PC3</b>
	Panel Mount Plug-in Power Converter, 100-115 Vac, 24 Vdc = <b>PC2</b>

## SUPPLIER CONTACT INFORMATION