



### General Information

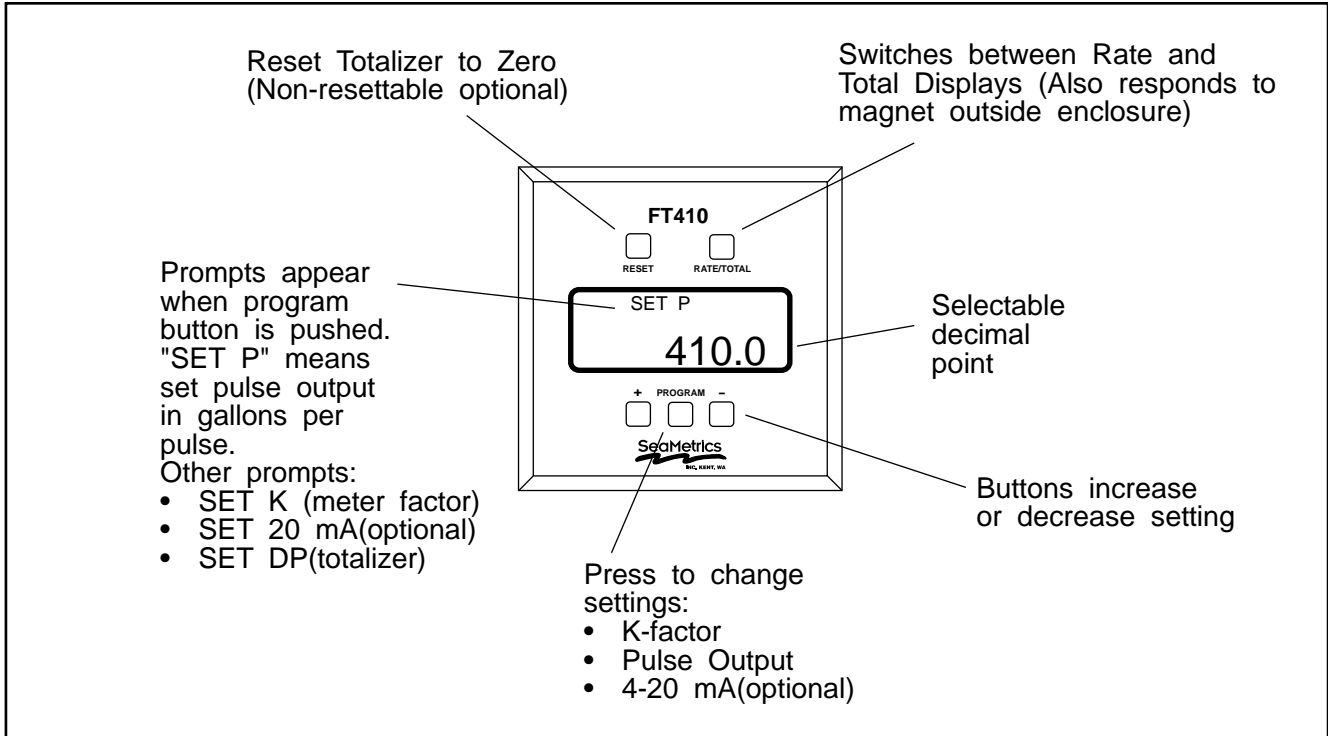
The SeaMetrics FT410 is a compact digital flow monitor with user-programmed output features. Combined with an IP Series insertion flow sensor or a WT turbine meter, it is ideal for flow rate and total indication, chart recording, and proportional chemical feed. It is available in wall or panel-mount enclosures, or in a round cast-aluminum housing mounted directly on a SeaMetrics meter. For wall-mounting, the non-metallic enclosure is splashproof and has a clear cover. The housing for panel mounting is standard 1/4 DIN-sized, with gasketed front panel and membrane switches.

An eight-digit totalizer is resettable, unless ordered with non-reset option. Programming prompts simplify set up by indicating the next step. Pulse output is a programmable 0.1 second open-collector transistor pulse, which is compatible with electronic metering pumps, PLC's, computer input cards, and SeaMetrics controls. An optional 4-20 mA output feature is front-panel programmable in standard flow rate units.

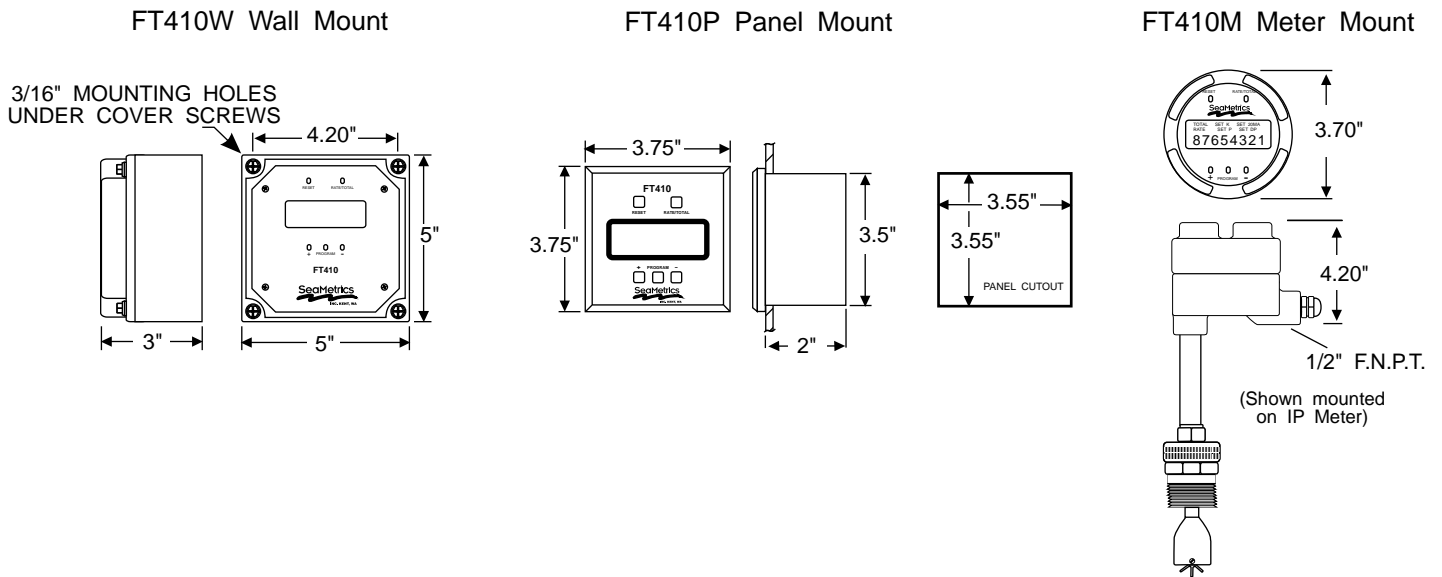
### Specifications

<b>Power</b>	11-28 VDC
<b>Flow Sensor Power</b>	5 Volts DC, 50 mA maximum
<b>Temperature</b>	0° C to 70° C
<b>Display</b>	Custom 8-digit LCD, 0.4" digits
<b>Totalizer</b>	8-digit resettable (non-reset optional)
<b>Enclosure</b>	Polystyrene NEMA 4X, 1/4 DIN, NEMA 4X, Aluminum NEMA 4X
<b>Rate Indication</b>	8-digit
<b>K Factor Range</b>	.050 - 2000.000
<b>Pulse Output Range</b>	0.1 - 200000.0 gallons per pulse
<b>Pulse Output</b>	0.1-second open-collector transistor, 100 mA, 40 VDC maximum
<b>Analog Output (Optional)</b>	4-20 mA isolated 24 VDC, 500 Ohm maximum
<b>Analog Output Resolution</b>	500 counts full scale
<b>Sensor Output</b>	100 mA, 40 VDC maximum

## Features



## Dimensions



## How To Order

Options: A= 4-20 mA output, NR= Non-resettable, R= Relay output option

FT410W \_\_\_ (wall mount)  
 FT410M \_\_\_ (meter mount)  
 FT410P \_\_\_ (panel mount)

**SeaMetrics**

20419 80th Ave. So., Kent WA. 98032 USA  
 Phone: 206-872-0284 Fax: 206-872-0285