



Specifications

Display		
Rate		6-digit autorange, 1/2" character height
Total		8-digit, 5/16" character height
Pulse Output		0.1 second open collector pulse
Input		sine-wave
Input Range		Minimum: 20 mV peak-peak Maximum: 6V peak-peak
K factor Range		0.050 - 2000
Pulse Output Range		0.1 - 200,000 pulses/unit
Battery Type		Lithium "C", 3V, replaceable
Normal Battery Life		3-5 years
Temperature		0 C - 70 C
Environmental		NEMA 4X

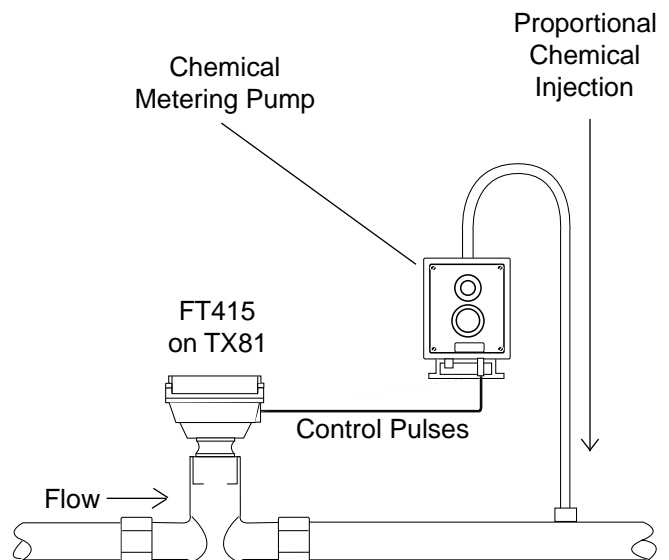
General Information

The FT415 is a microcontroller-based rate/total indicator powered by a lithium battery. It displays rate and total, and provides a programmable pulse output for use in metering pump pacing or datalogging.

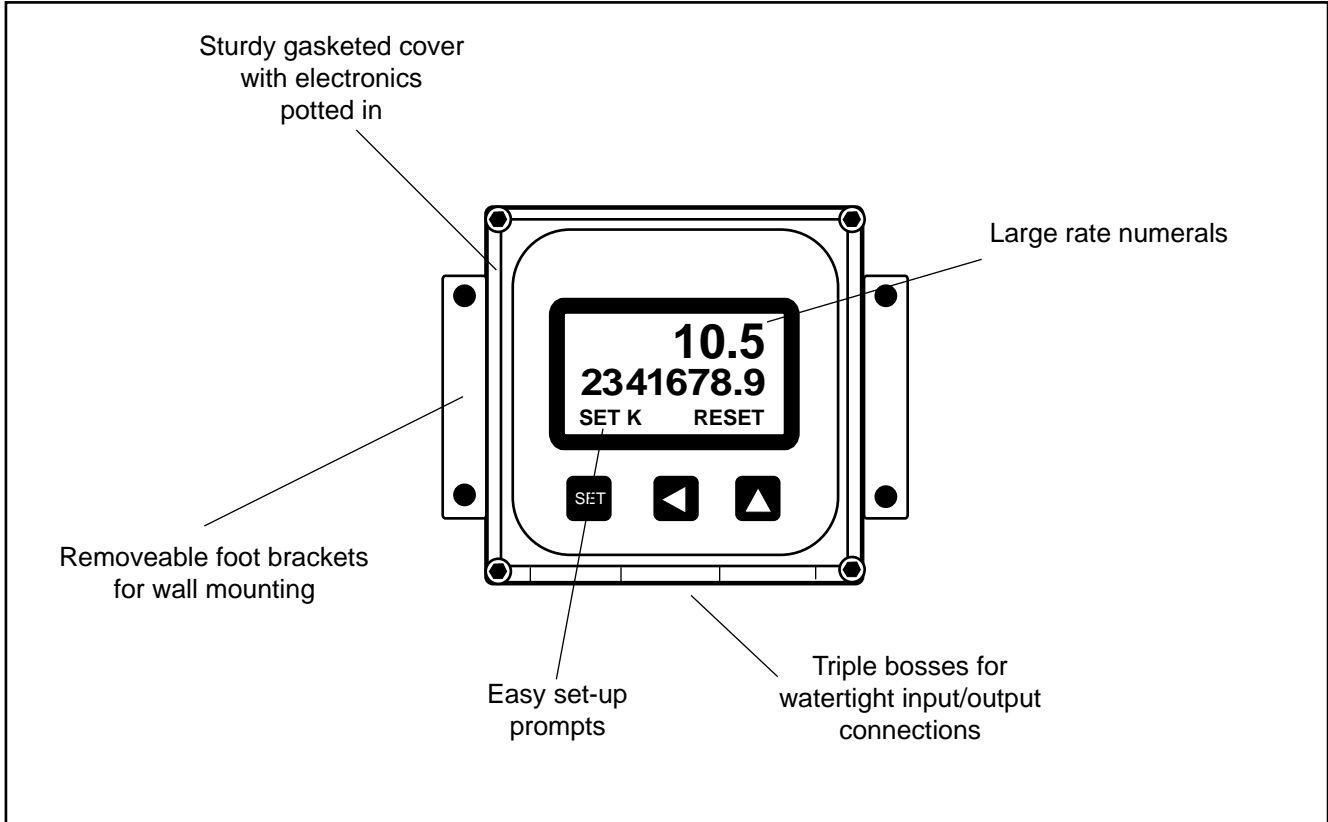
The rugged cast-aluminum housing is gasketed for maximum environmental protection, and the electronics are potted into a solid block of urethane. A membrane keypad allows settings to be changed without removing the cover. The universal mount version comes with brackets for wall mounting, and also with an adaptor for field installation on TX80-series flow sensors. The FT415 can also be factory or field installed on a TX100/200 series sensor or WT meter. (Passive pickups are required to prolong battery life.)

The standard output is a programmable 0.1 second open-collector transistor (TTL) pulse which can be used to trigger most externally-paced metering pumps.

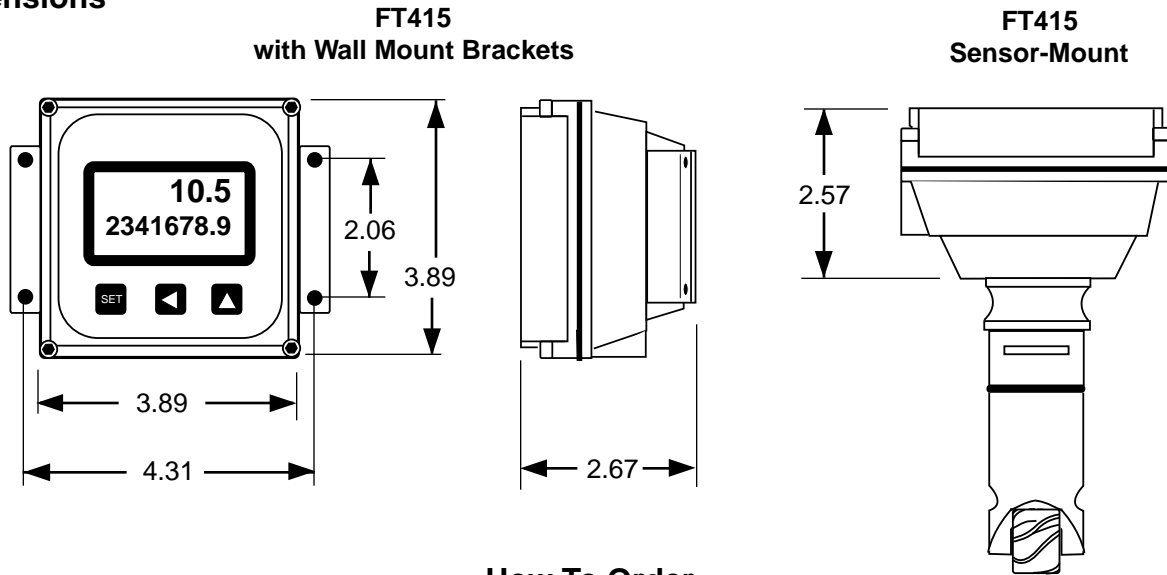
Typical Application



Features



Dimensions



How To Order

Mounting Style: M = premounted on sensor, 100/200 series only
 U = Universal, wall or field mount on 80-series sensor

FT415 _____

Note: All FT415 indicators require a passive sensor. See options when ordering sensor.

SeaMetrics

20419 80th Ave. So., Kent WA. 98032 USA
 Phone: 253-872-0284 Fax: 253-872-0285
 url: www.seametrics.com