



Specifications

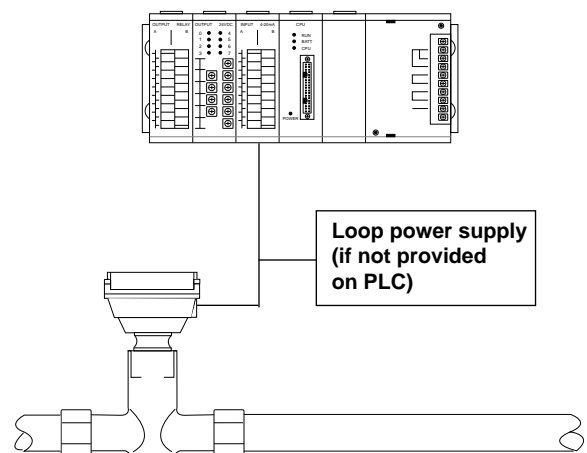
Power	4 mA DC (4-20 mA loop), 12-32 VDC
Display	
Rate	6-digit autorange, 1/2" character height
Total	8-digit, 5/16" character height
Pulse Output	<ul style="list-style-type: none"> • 0.1 second open collector pulse (scaled) • sensor pulse (unscaled)
Input	Pulse frequency + 5 VDC
K factor Range	0.050 - 2000
Pulse Output Range	0.1 - 200,000 pulses/unit
Temperature	0 C - 70 C
Environmental	NEMA 4X

General Information

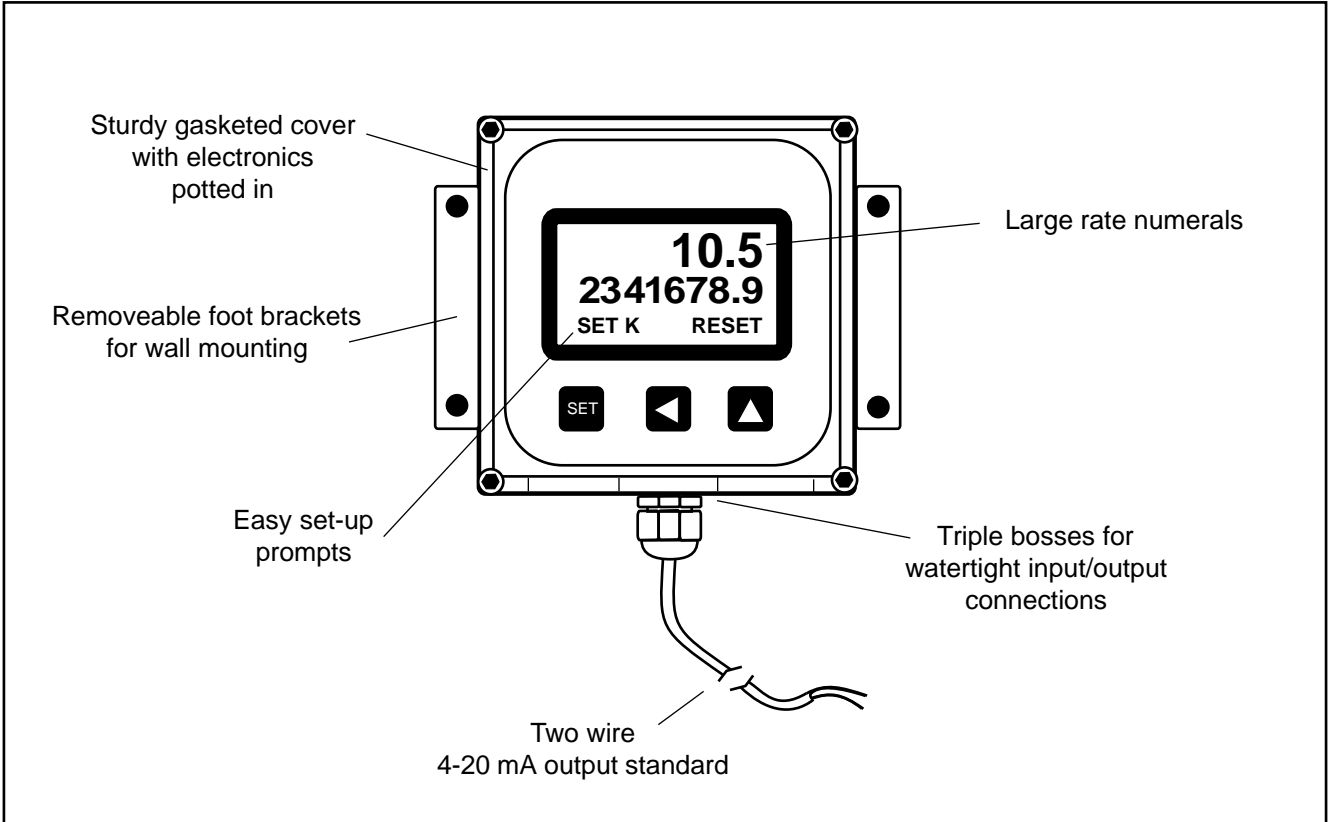
The FT420 is a loop-powered microcontroller-based transmitter/indicator. It displays rate and total, and provides a 4-20 mA analog signal proportional to flow. A programmable pulse output is also standard for metering pump control or data logging.

The rugged cast-aluminum housing is gasketed for maximum environmental protection, and the electronics are potted into a solid block of urethane. A membrane keypad allows settings to be changed without removing the cover. The universal mount version comes with brackets for wall mounting, and also with an adaptor for field installation on 80-series flow sensors. The FT420 can also be factory or field installed on a TX100/200 series sensor or WT meter.

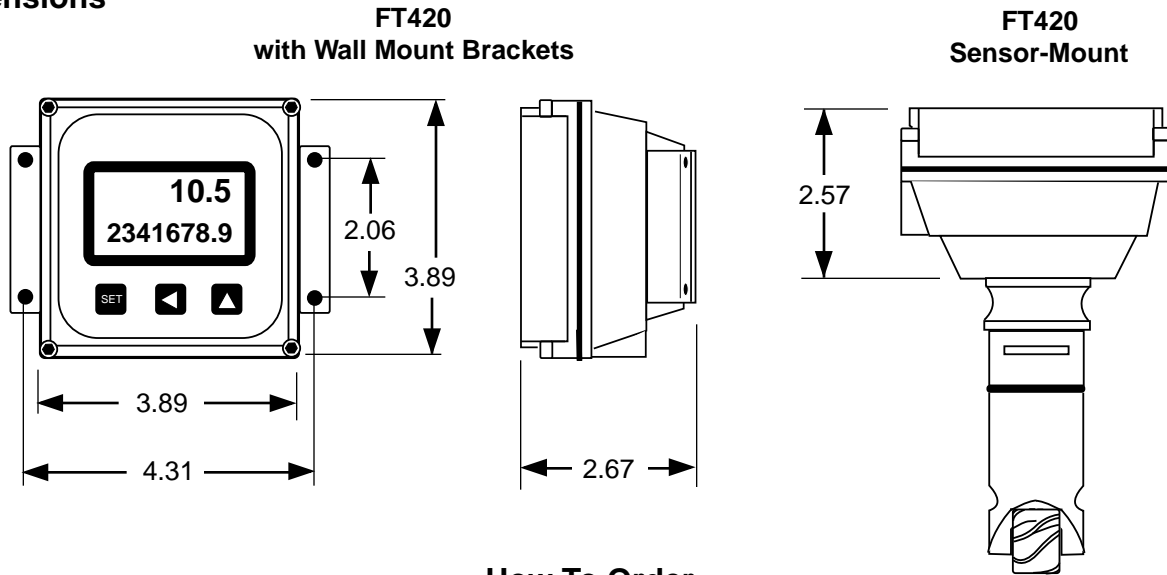
Typical 4-20 mA Application



Features



Dimensions



How To Order

Mounting Style: M = premounted on sensor, 100/200 series only
 U = Universal, wall or field mount on 80-series sensor

FT420 _____

SeaMetrics

20419 80th Ave. So., Kent WA. 98032 USA
 Phone: 253-872-0284 Fax: 253-872-0285
 url: www.seametrics.com