



General Information

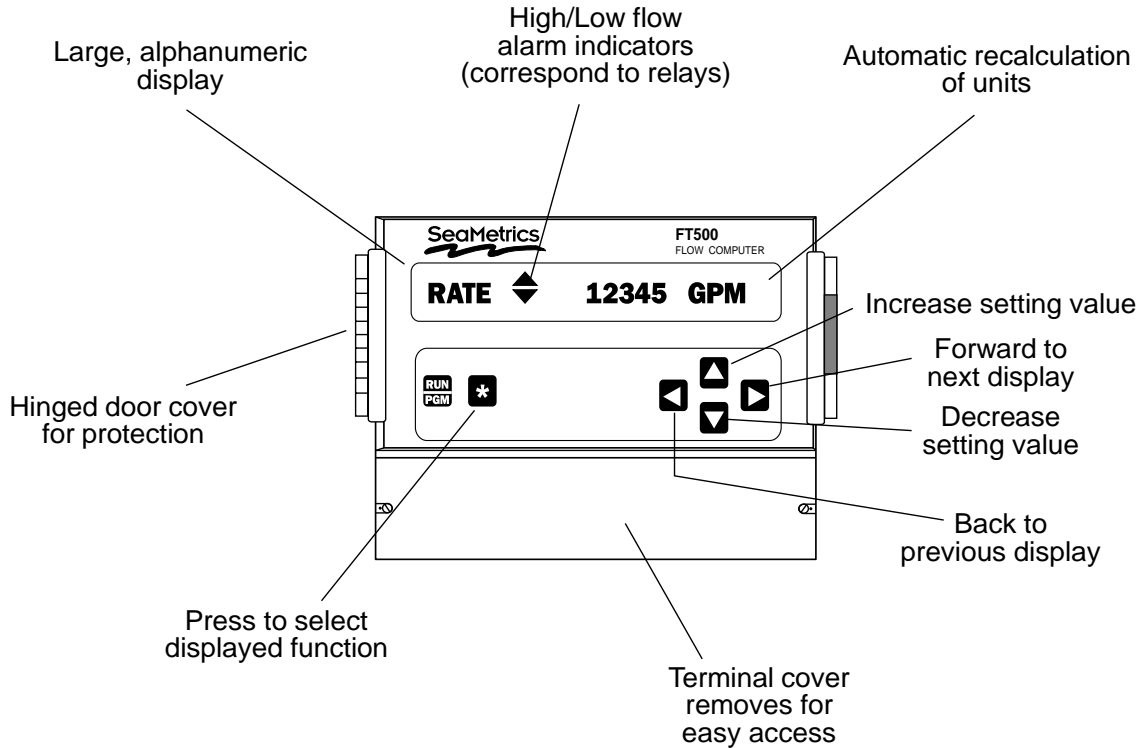
The FT500 flow computer provides rate and total flow display, as well as additional output features. It is designed for use with SeaMetrics meters, as well as many other meters which provide pulse-type output. Flow rate and total are alternately shown, in user-selectable units, on a large alphanumeric LCD display. The accumulated total can be reset with a series of keystrokes.

High-flow and low-flow alarm setpoints are a standard feature. The relay outputs of these alarms can be used to operate a warning device such as an autodialer, or to shut off critical equipment, such as a pump. The standard programmable pulse output is useful for metering pump proportional feed or telemetry. An optional analog output (0-10 V or 4-20 mA) is easily field calibrated. Zero and span are front-panel programmed in flow units. The FT500 comes in a weathertight enclosure with a hinged clear cover over the membrane front panel. Terminal access is simplified by a separate cover. Both 12 VDC and 115 VAC versions are available.

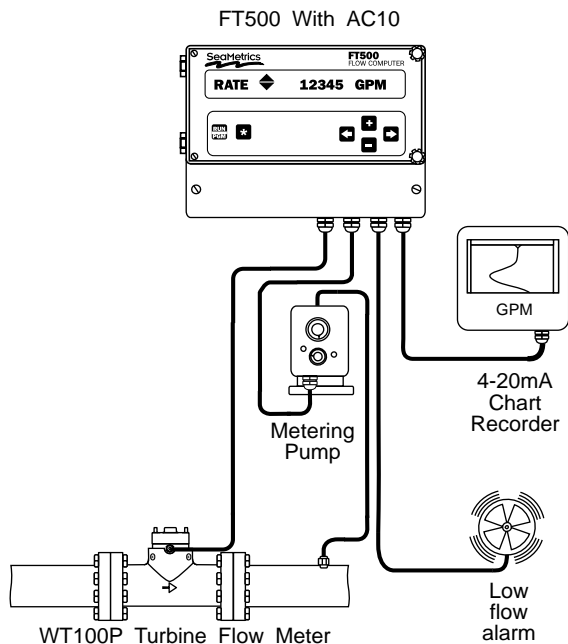
Specifications

Power	12-16 VDC or 115 VAC, 4 watts max
Temperature	32° - 130° F (0° - 55° C)
Humidity	85% non-condensing relative
Enclosure	Polystyrene (NEMA 4X with conduit connection option)
Outputs	Two form C SPDT relay 120 VAC 5 A max.
Max Pulse Output	100 mA at 60 VDC (100ms)
Sensor Power	12-16 VDC, 50 mA
Totalizer	8 digit (resettable)
Rate Display	5 digit (0-99999)
Analog Output	Optional 0-10 VDC or 4-20 mA 8-bit resolution, 500 ohm max load
Sensor Input	Max. current 25 mA at 12 VDC, Max. frequency 500 hz

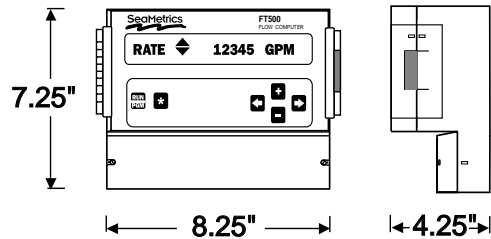
Features



Application



Dimensions



How To Order

Option Code (see options below)



FT500- _____

Option codes:

- 22 Analog output
- 11 Extra cable
- 23 Power 12 VDC
- 24 Power 220/50VAC

SeaMetrics

20419 80th Ave. So., Kent WA. 98032 USA
 Phone: 253-872-0284 Fax: 253-872-0285
www.seametrics.com 1-800-975-8153