



### General Information

These versatile impeller flowmeters in 3/8" to 1" nominal pipe size employ jewel bearings for very low minimum flows. The 6-24 VDC pulse output of these meters is compatible with many different types of control, including a full range of SeaMetrics rate displays and controls. The SeaMetrics FT410 provides flow rate and total flow, with 4-20 mA output optional. For metering pump pacing only, the CX30 pump pulser or the PD10 divider are recommended. The AO45 is a blind 4-20mA transmitter.

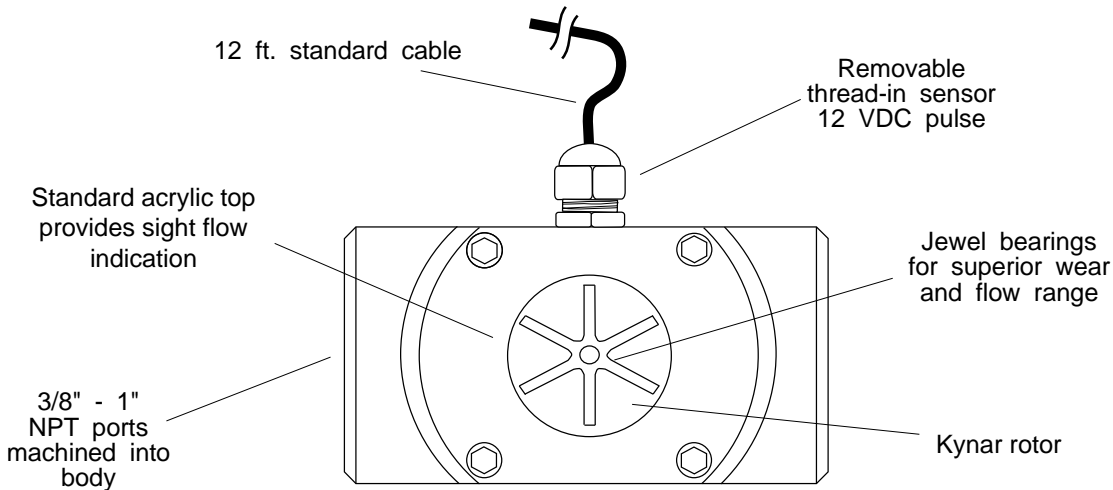
SPX meters are available in 3/8" to 1" female pipe threads. The standard body material is polypropylene, with transparent acrylic top for visual flow indication. Polypropylene tops are available as an option. The standard impeller is KYNAR.

The SPX-TFE is available standard with TFE housing, TFE lens, PVDF rotor, ceramic shafts, and choice of o-ring material (EPDM or Viton).

### Specifications

<b>Connections</b>	3/8", 1/2", 3/4", 1" Female NPT standard
<b>Materials</b>	
Body	Polypropylene or TFE
Cover	Acrylic, Polysulfone, TFE
Rotor	KYNAR
Shaft	Tungsten Carbide, ceramic optional
Bearings	Ruby
<b>Max. Temperature</b>	160° F
<b>Max. Pressure</b>	150 PSI
<b>Accuracy</b>	±1% FS
<b>Flow Rates (GPM)</b>	
3/8"	0.07 - 5
1/2"	0.1 - 10
3/4"	0.2 - 20
1"	0.5 - 40

## Features



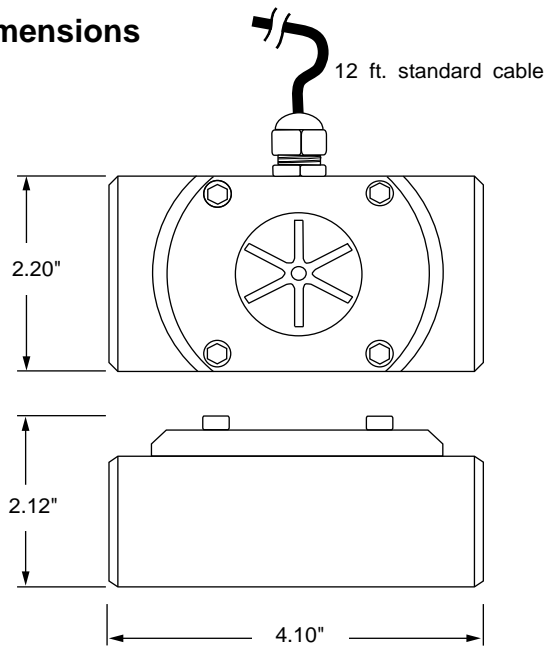
## Nominal K-factors (Pulses per Gallon)

3/8"	1600
1/2"	500
3/4"	300
1"	90

## Typical Combinations with SPX

- Flow Monitoring: FT410 Flow Computer
- Flowswitch: FS20 Flow Switch
- Analog Output: AO45 Blind Transmitter
- Divider: PD10 Pulse Divider

## Dimensions



## How To Order

- Body material: **PP**(Polypro), **TFE**(PTFE)
- Optional shaft: **C**(ceramic)
- Optional cover: **PP**(Polypro), **PS**(polysulfone)
- (Specify Size: 3/8", 1/2", 3/4", 1")
- SPX**

**NOTE:** If no option is specified, standard configuration will be shipped: Polypro body, acrylic cover, carbide shaft

**SeaMetrics**

20419 80th Ave. So., Kent WA. 98032 USA  
Phone: 206-872-0284 Fax: 206-872-0285